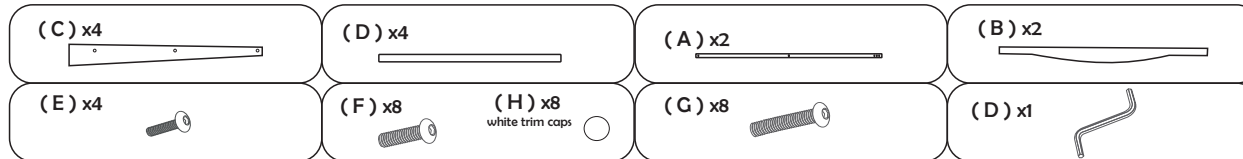
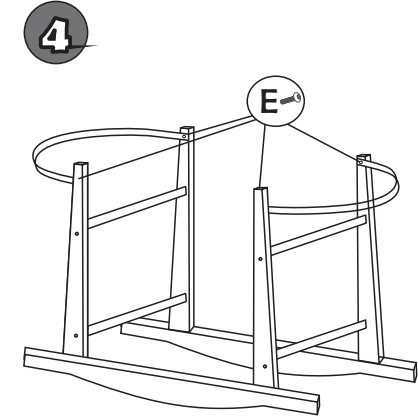
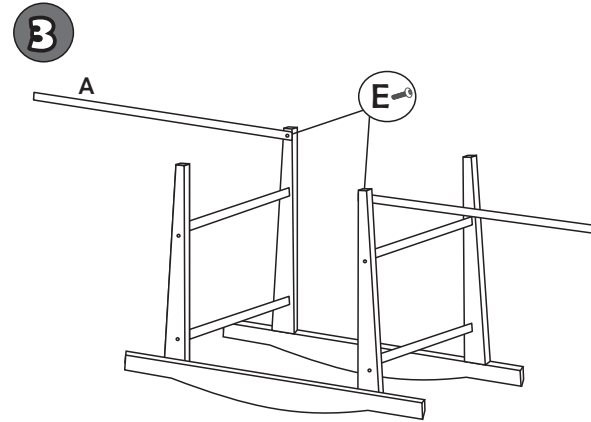
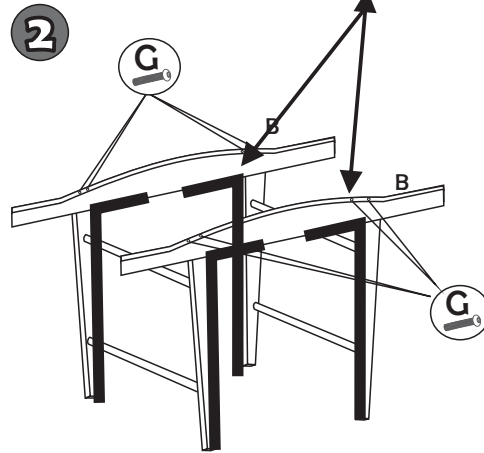
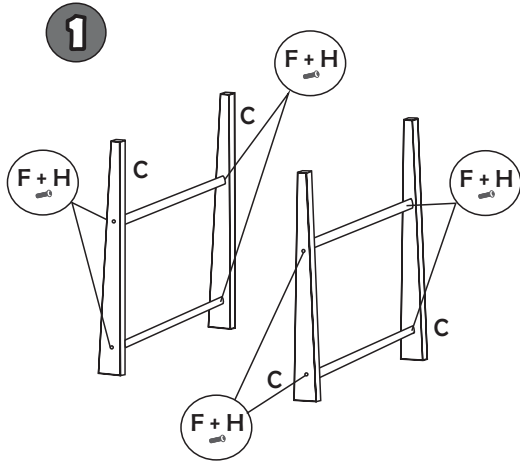


BABY CARRYCOT ROCKER SUPPORT

INSTRUCTIONS FOR ASSEMBLY AND USE

VERY IMPORTANT

When assembling the parts, make sure that the inside of the that the inner part is at right angles.



INSTRUCTIONS FOR USE

IMPORTANT - READ THESE INSTRUCTIONS CAREFULLY BEFORE USE AND KEEP THEM FOR FUTURE REFERENCE.

WARNINGS

- *The carrycot should always be placed on a horizontal, firm and dry floor.
- *Keep away from heat sources such as electric heaters, etc.... because of the risk of fire.
- *Do not leave the carrycot and the support close to a wall or other obstacle in order to avoid entrapment.
- *The support must be used with carrycots with a maximum size of 800 mm long and 400 mm wide.

NOT SAFE FOR USE WITH OTHER PRODUCTS

- *It must not be used for children who can sit, kneel or stand up on their own.
- *Do not add any additional components that affect stability.

WARNING

- *Do not use if any part of it is broken, broken or lost.
- *All mounting devices must always be properly tightened and the screws and bolts must be tightened securely.
- The screws must not be loose or the child could be pinched or snagged by clothing or accessories.

WARNING

- *Do not allow children to play unattended in the vicinity of the carrycot when it is in use, when in use.
- *When not in use it should be stored out of reach of children.
- *Clean with a slightly damp cloth and dry with a cloth immediately.